



**DELTA WATER ENGINEERING**

# Hydraulic Water Softener

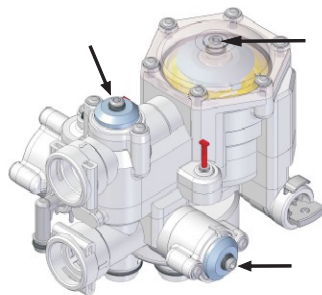
DUPLEX



- Non Electric
- Automatic Control
- *Parallel Functioning*
- Low Salt And Water Consumption
- Patented Technology



Compact



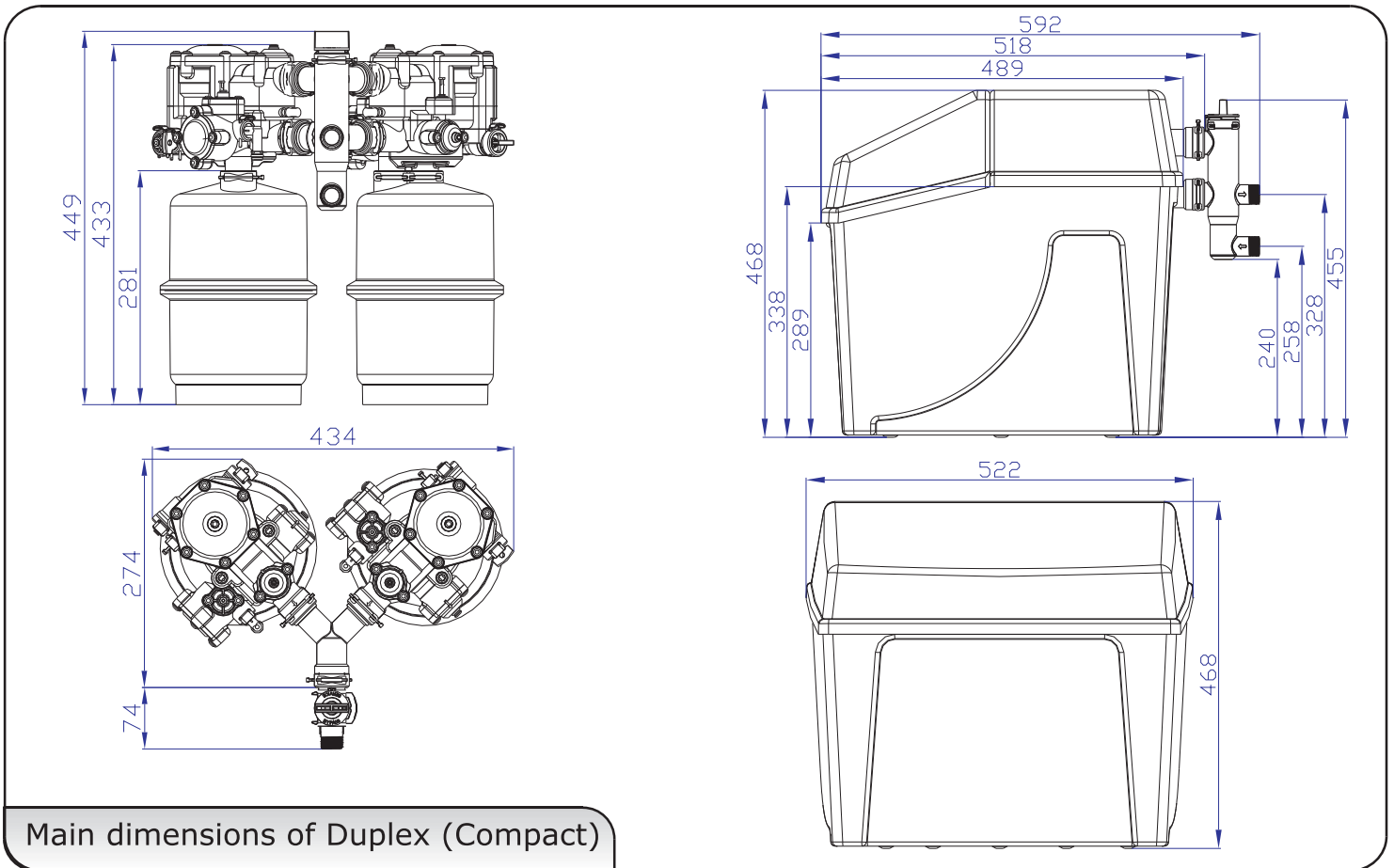
Easy setting



Triple Brine  
Valve Safety

Provisional technical data

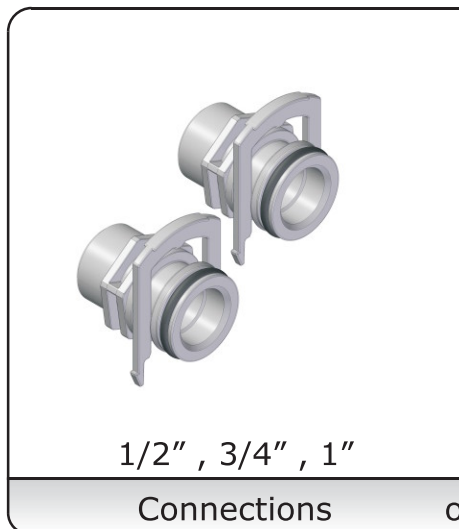
TYPE	D-220	D-330	
Connection	1/2" , 3/4" , 1"	1/2" , 3/4" , 1"	inch
Working Pressure	1 - 8	1 - 8	bar
Flow Rate	2300	2600	l/h
At Pressure Drop	1	1	bar
Exchange Capacity	20	30	m <sup>3</sup> /°fH
Water Usage / Regeneration	16 - 20 (2x)	16 - 20 (2x)	liter
Salt Usage / Regeneration	0.300 - 0.400 (2x)	0.300 - 0.400 (2x)	kg
Regeneration Time	12 - 15	12 - 15	min.
Maximum Temperature	50	50	°C
Filter	80	80	µm



Main dimensions of Duplex (Compact)

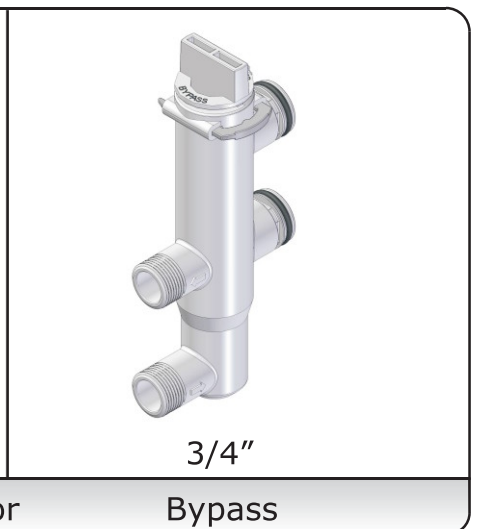


2 Units are connected by two Y-pieces



1/2" , 3/4" , 1"

Connections



3/4"

Bypass

or