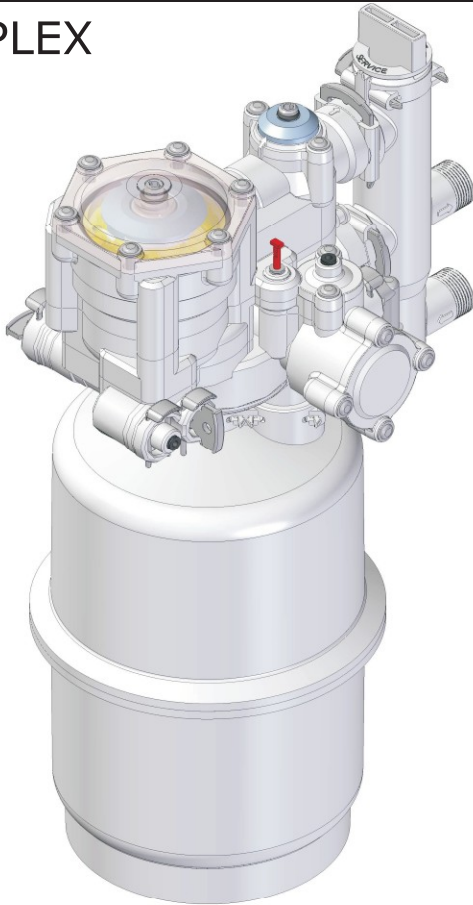




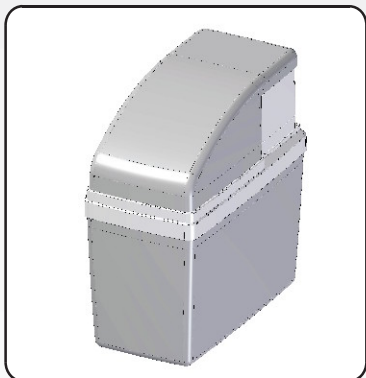
DELTA WATER ENGINEERING

Hydraulic Water Softener

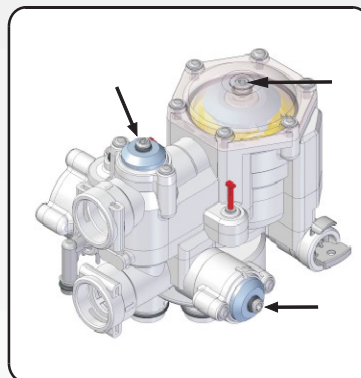
SIMPLEX



- Non Electric
- Automatic Control
- Low Salt And Water Consumption
- Patented Technology



Compact



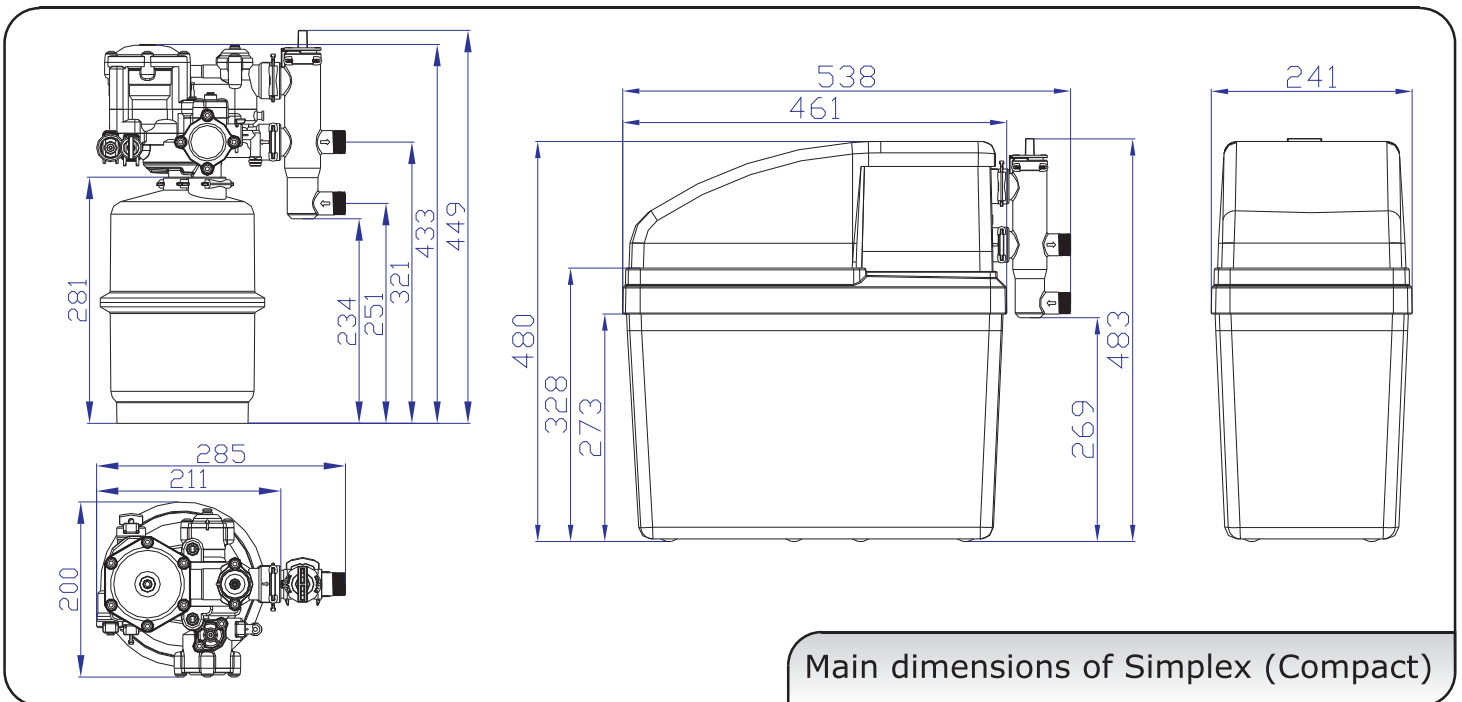
Easy setting



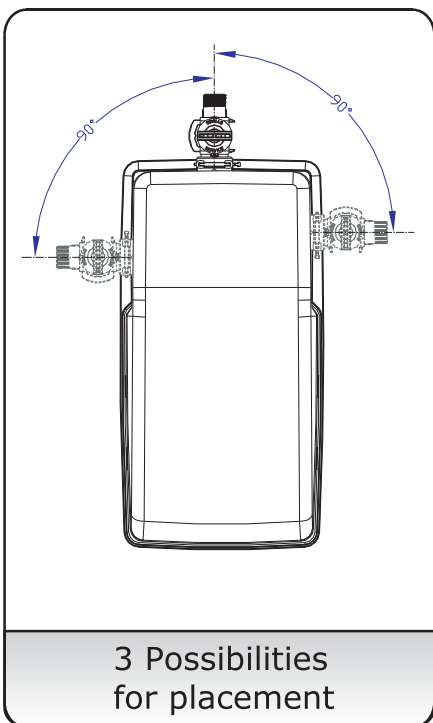
Triple Brine
Valve Safety

Provisional technical data

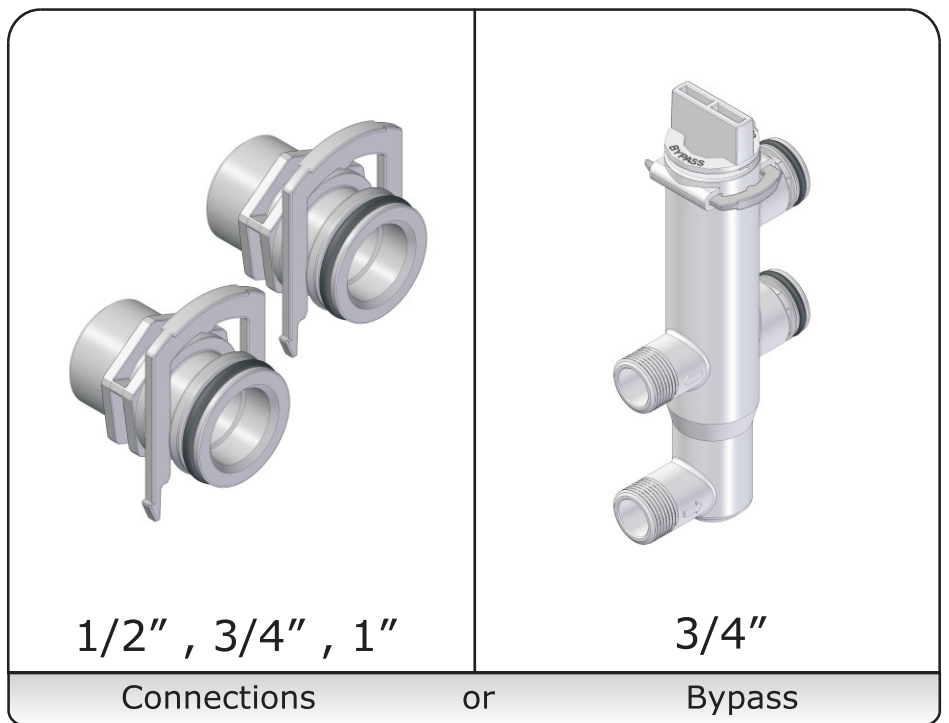
| TYPE | S-220 | S-330 | |
|----------------------------|------------------|------------------|---------------------|
| Connection | 1/2" , 3/4" , 1" | 1/2" , 3/4" , 1" | inch |
| Working Pressure | 1 - 8 | 1 - 8 | bar |
| Flow Rate | 1200 | 1500 | l/h |
| At Pressure Drop | 1 | 1 | bar |
| Exchange Capacity | 10 | 15 | m ³ /°fH |
| Water Usage / Regeneration | 16 - 20 | 16 - 20 | liter |
| Salt Usage / Regeneration | 0.300 - 0.400 | 0.300 - 0.400 | kg |
| Regeneration Time | 12 - 15 | 12 - 15 | min. |
| Maximum Temperature | 50 | 50 | °C |
| Filter | 80 | 80 | µm |



Main dimensions of Simplex (Compact)



3 Possibilities for placement



1/2" , 3/4" , 1"

Connections

or

3/4"

Bypass